

UBC Linguistics and Speech Sciences Prerequisite Chart

(draft, Jan. 16, 2017)

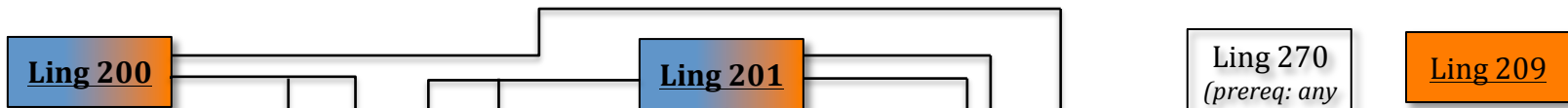
Linguistics major requirements in bold
Speech Sciences major requirements underlined

100
level

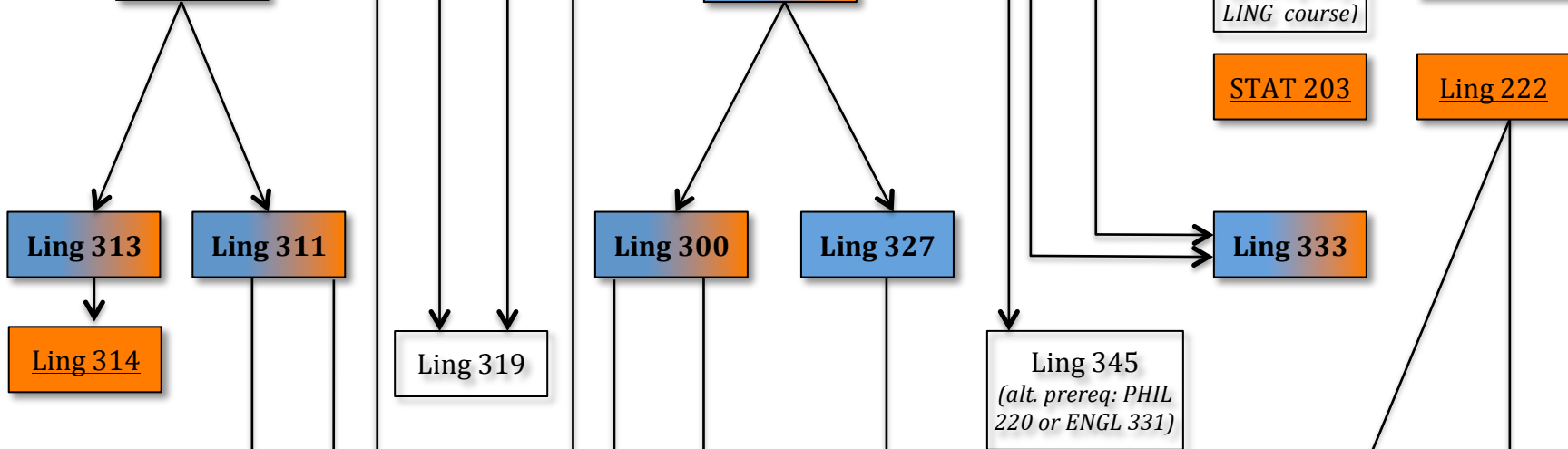


*100 or 101 is recommended but does not count towards the major

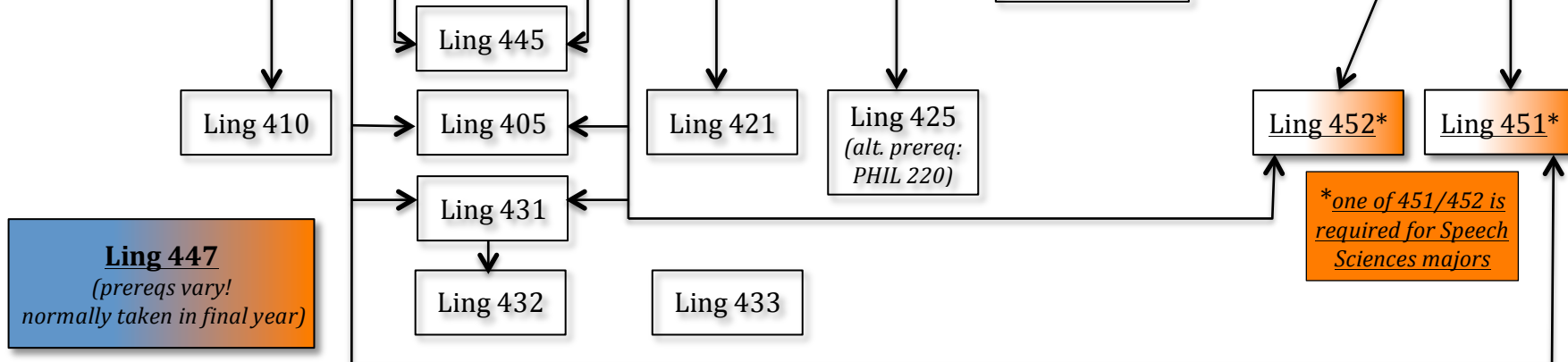
200
level



300
level



400
level



Additional Requirements for the Major

Always refer to the Department of Linguistics website and the UBC Calendar for details!

Linguistics: additional 18 credits from LING 300 level and higher (incl. max 6 credits from related areas) + the linguistics Language Requirement

Speech Sciences: additional 9 credits from AUDI 402, AUDI 403; LING 300-level and higher; selected PSYC 300-level and higher